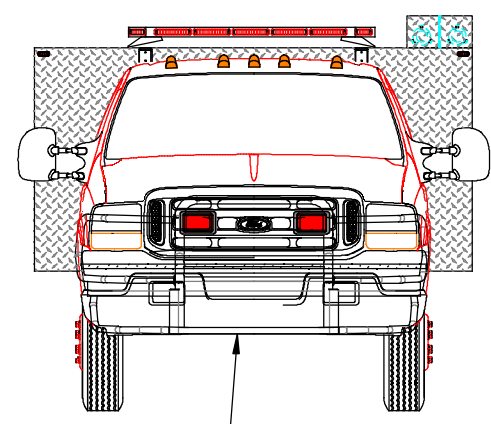


BODY TYPE: FULL FRAMED

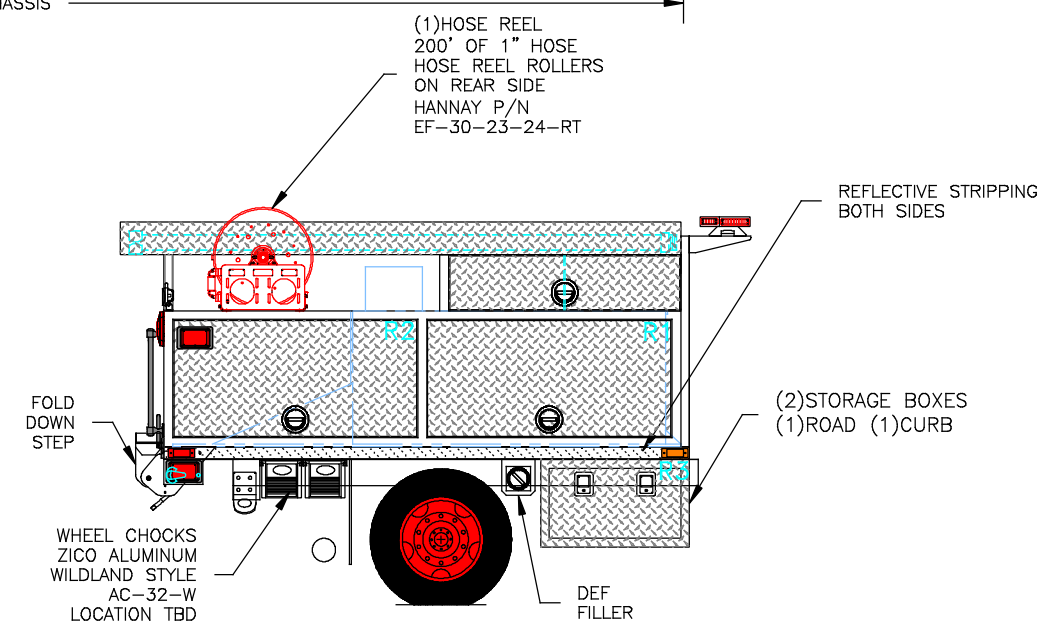
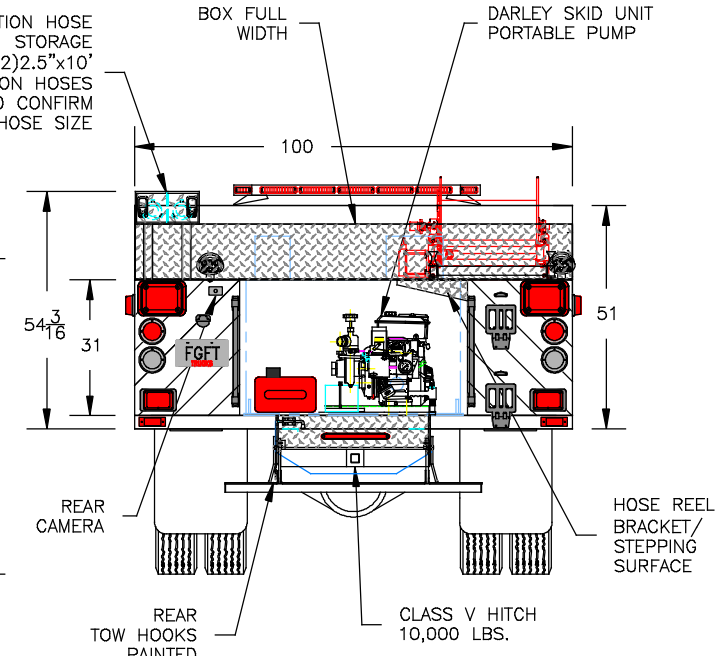
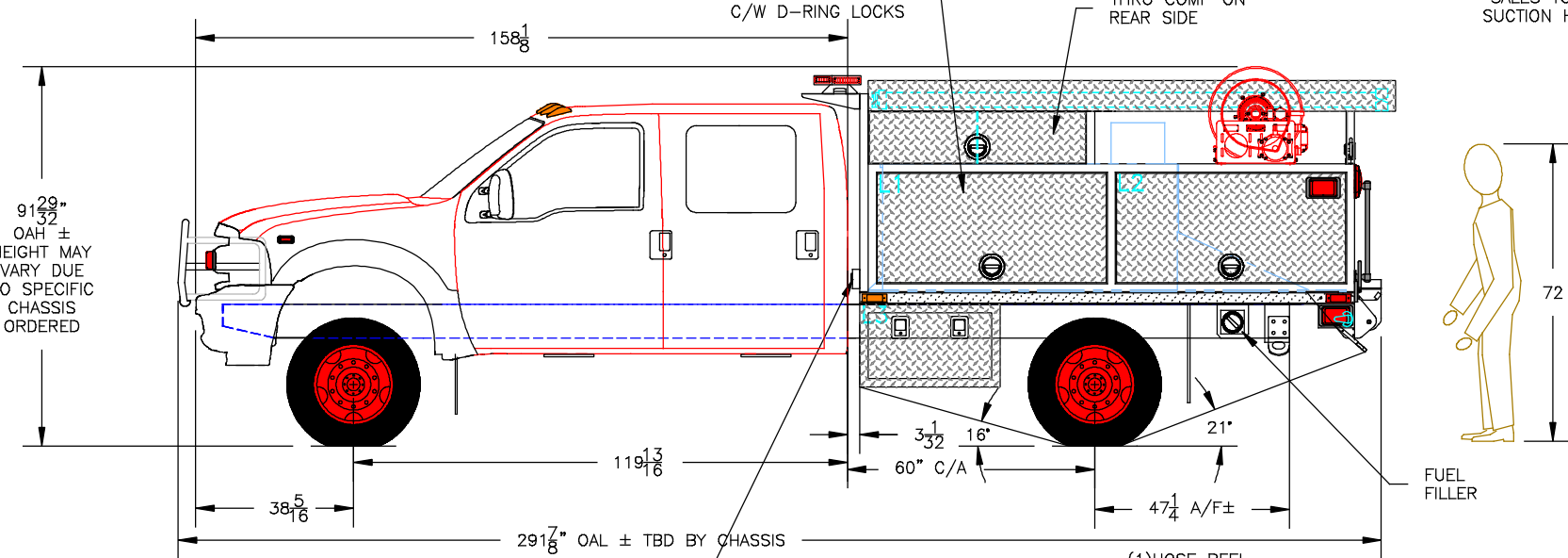
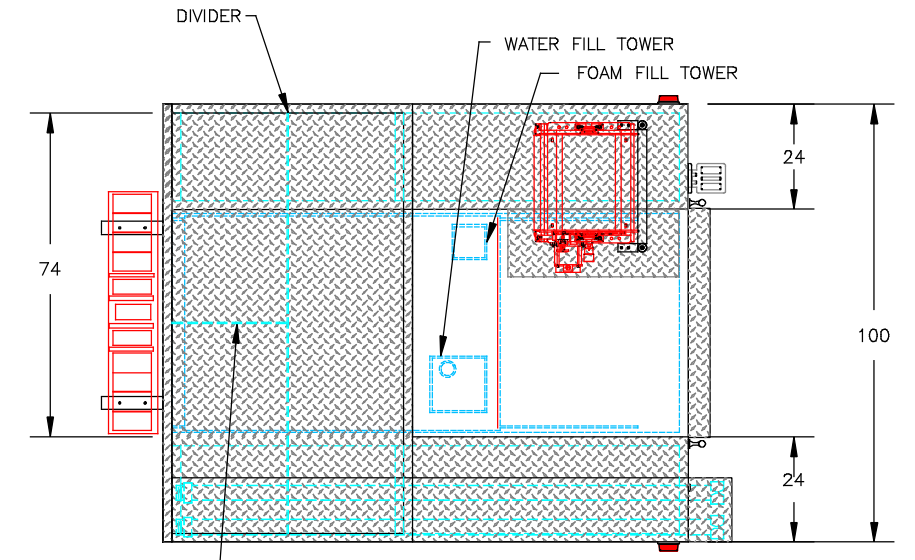
DOC. NO. : E018-1 DRAWING TEMPLATE
REV. C 2017-02-05

SPECIFICATION

- CHASSIS:**
- FORD F550 4x4 CREW CAB
 - 19,500 LB GVWR; 7,500 LB FRONT / 12,000 LB REAR
 - ENGINE V8 TURBO DIESEL 6.7L 4V OHV POWER STROKE
 - 6 SPEED TORQSHIFT AUTOMATIC TRANSMISSION
- PUMP:**
- DARLEY SKID UNIT 120GPM GAS PUMP 1.5 AGE
 - DARLEY PORTABLE PUMP 1.5 AGE 18 HP BRIGGS & STRATTON
 - FOAM SYSTEM DARLEY FOAM FLURRY
 - NFPA TEST AND CERTIFICATION TO NFPA 1906-2016 EDITON
- PLUMBING:**
- 1 x 2 1/2" SUCTION
 - 1 x 1 1/2" DISCHARGE
 - 1 x 2 1/2" DISCHARGE
 - 1 x 100' x 1" BOOSTER HOSE REEL
 - 1" TANK FILL
- TANK:**
- 400 USG (333 IG) POLY
 - 10 USG (8 IG) INTERNAL FOAM TANK
- BODY:**
- COUGAR
 - BODY UNDERCOATING - CORASHIELD
- EMERGENCY EQUIPMENT-ACCESSORIES:**
- LIGHT BAR 56" LED
 - SIREN SMART
 - 100W SPEAKER
 - 2 x FLOOD LIGHTS
 - 2 x GRILLE LIGHTS RED
 - 2 x UPPER SIDE WARNING LIGHTS RED
 - 2 x LOWER SIDE WARNING LIGHTS RED
 - 2 x INTERSECTION WARNING LIGHTS - CHASSIS
 - 2 x REAR LOWER WARNING LIGHTS RED
 - 2 x REAR UPPER WARNING LIGHTS RED
 - 6 x GROUND LIGHTS
 - BATTERY CHARGING PROVISION
 - 1 x ANTENNA MOUNT CUSTOMER SUPPLIED
 - 2 x 2 1/2" x 10' SUCTION HOSE
- MODEL:**
- WHELEN JUSTICE 56"
 - WHELEN CEN COM
 - SAPPHIRE W/MIC
 - WHELEN SA315P
 - DTI 010Wx6 LED 12V
 - WHELEN 600 LED
 - WHELEN 600 LED
 - WHELEN 600 LED
 - WHELEN LIN3 LED
 - WHELEN 600 LED
 - WHELEN 900 LED
 - LUMA BAR H20-12"
 - KUSSMAUL
 - AUTO CHARGE 1200



ALI ARC GRILL GUARD
FDR279 FORD SUPERDUTY
F250/F550 2017-UP W/RAKE
CUSTOMER SUPPLIED BUMPER
INSTALL AT FGFT



THIS DRAWING IS PROPERTY OF FORT GARRY FIRE TRUCK LTD (FGFT) AND MUST NOT BE COPIED OR REPRODUCED IN WHOLE OR IN PART, BY ANY METHOD WHATSOEVER, WITHOUT AUTHORIZATION OF FGFT.

COMPT.	COMPARTMENT FRAME DIMENSIONS
L1	56W x 31H x 24D
L2	56W x 31H x 24D
L3	30W x 16H x 24D
R1	56W x 31H x 24D
R2	56W x 31H x 24D
R3	30W x 16H x 24D

1. THE DRAWING IS FOR REFERENCE PURPOSE, ONLY. THE DRAWING MAY OR MAY NOT SHOW ALL ITEMS AS DESCRIBED IN THE WRITTEN DETAILED SPECIFICATION.
2. INCLUSION OF AN ITEM ON THE DRAWING DOES NOT CONSTITUTE INCLUSION OF THAT ITEM WITH THE FINAL DELIVERY OF THE UNIT. SPECIFICATION SHALL BE FINAL AUTHORITY TO BE DETERMINED WHAT IS SUPPLIED ON THE APPARATUS.
3. THE EFFECTIVE DOOR OPENING FOR ROLLUP DOORS WILL BE REDUCED APPROX. 10" IN HEIGHT, 2" IN DEPTH AND 2" IN WIDTH FROM SHOWN FRAME OPENINGS AND 2" IN HEIGHT, 3" IN DEPTH AND UP TO 4" IN WIDTH FOR PAN DOORS.
4. PUMP RATING AND TANK CAPACITY ARE SHOWN AS NOMINAL VALUES. THE ACTUAL VALUES MAY VARY.
5. CHASSIS GVWR SHOWN IS THE MINIMUM REQUIRED FOR STANDARD BODY DEPENDING OF OPTIONS, GVWR MAY NEED TO BE INCREASED.
6. OEM CAB STEPS MAY NOT MEET ULC STANDARD. SELECT CUSTOM STEPS WHEN REQUIRED
7. OVERALL HEIGHT IS IN LOADED CONDITION, UNLOADED HEIGHT MAY BE 4" ABOVE HEIGHT SHOWN. AFTER TRUCK IS COMPLETED ADDITIONAL STEPS MAY BE REQUIRED TO MEET THE STANDARD.
8. DIMENSIONS SHOWN ARE APPROXIMATE AND ARE SUBJECT TO CHANGE AS MAY BE FOUND NECESSARY DURING DESIGN. DO NOT SCALE DRAWING.
9. MINOR DETAILS AND REFLECTIVE STRIPING ARE NOT SHOWN.

REV	DESCRIPTION OF CHANGE	BY	DATE
D	REVISED CUSTOMER SIGN OFF DWG	JAR	19 DEC 2017
C	PPM DRAWING	TV	06 DEC 2017
B	CUSTOMER SIGN OFF DRAWING	JAR	11 DEC 2017
A	CRM DRAWING	TV	30 OCT 2017



WWW.FGFT.COM
WINNIPEG, MANITOBA, CANADA 1-800-565-3473

DESCRIPTION:	SPRINGFIELD FIRE & RESCUE	
SCALE:	DWG. BY:	CHK. BY:
1:45	TV	

MODEL:	SHEET:
FD04D1	1 OF 1
DATE:	DWG. NO. :
26 JUL 2017	M0900