

SPECIFICATION

BODY TYPE: EXTRUDED ALUMINUM
TANK TYPE: DRY SIDE

CHASSIS:
-INTERNATIONAL 7400 SBA 4x2 CREW CAB
-40,000 LB GVWR; 14,000 LB FRONT / 26,000 LB REAR
-DIESEL ENGINE, CUMMINS L9, EPA 2017, 350 HP
-AUTOMATIC TRANSMISSION, ALLISON 3000 EVS

PUMP:
-DARLEY PTO PSP 1250
-1250 USGPM (5000 LPM) (1050 IGPM) AT 150 PSI
-THIRD PARTY CERTIFICATION MEETING NFPA 1901-2016 EDITION

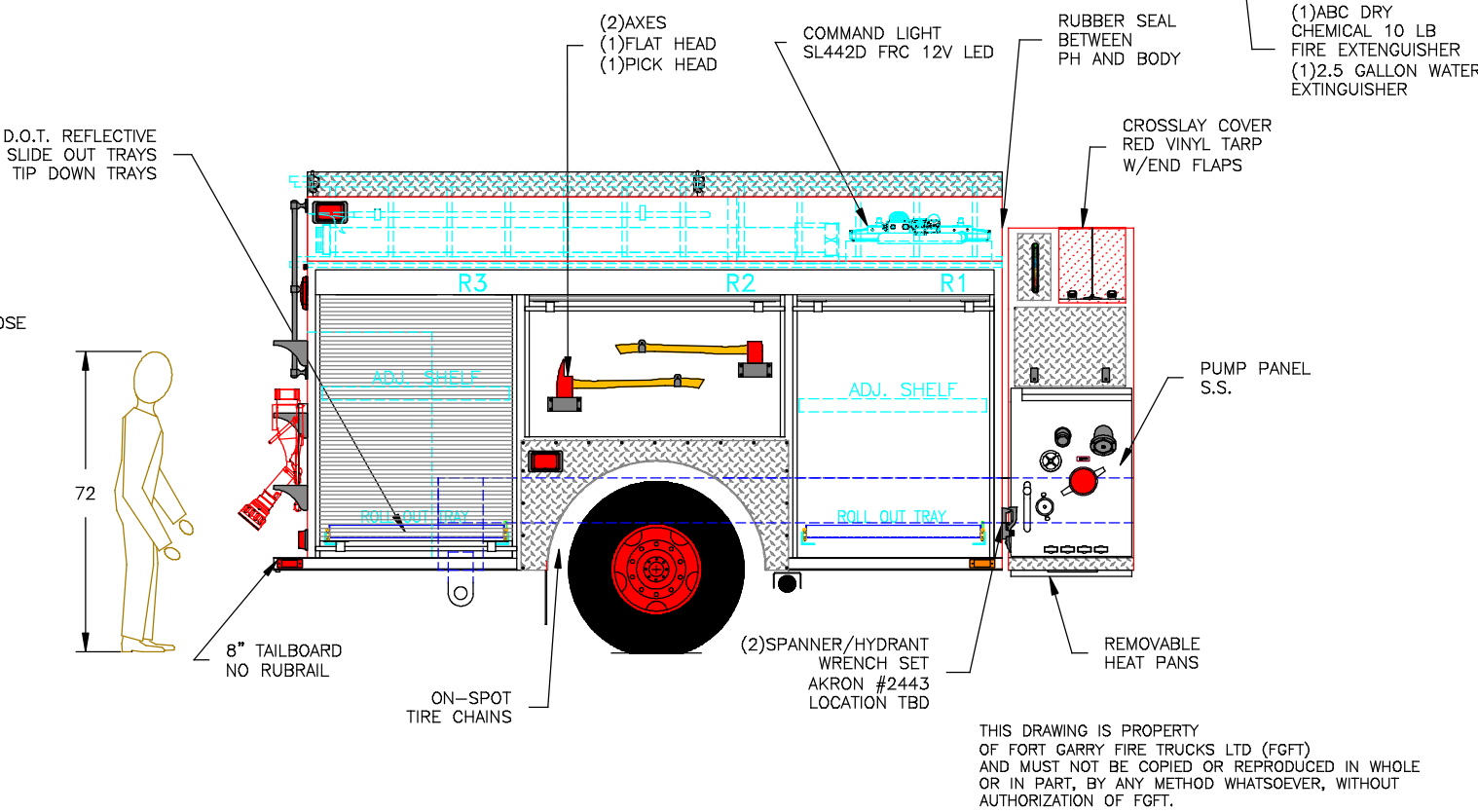
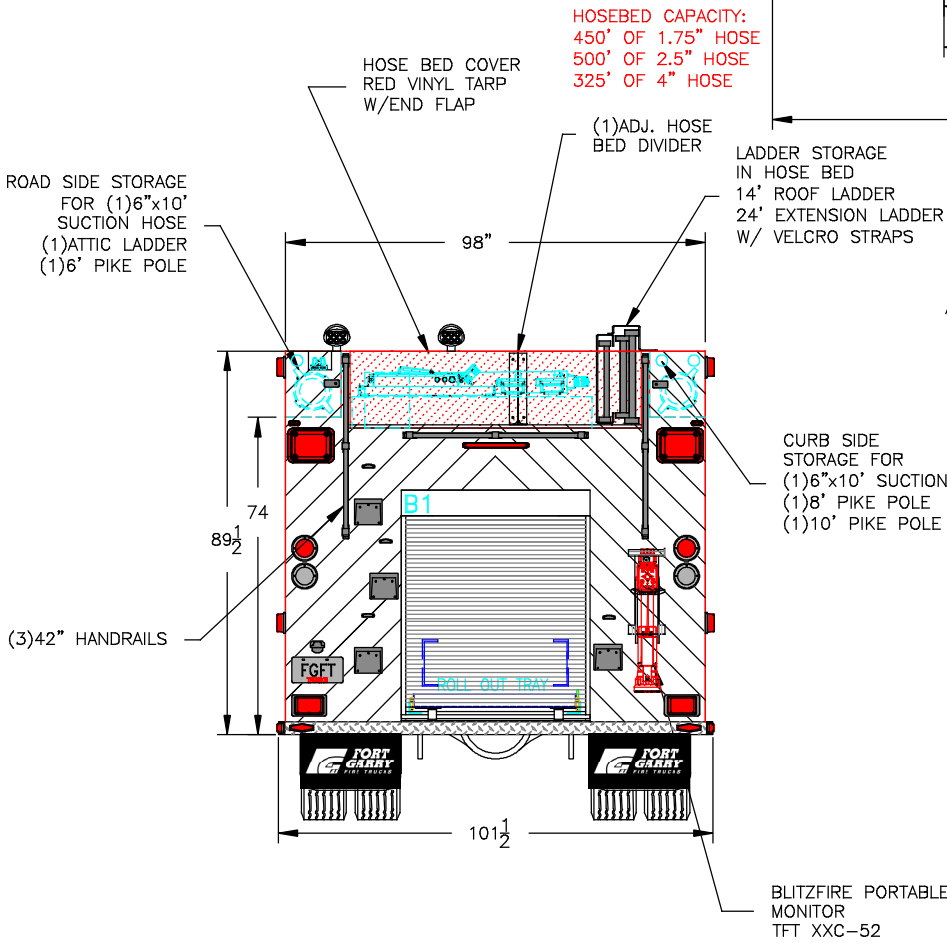
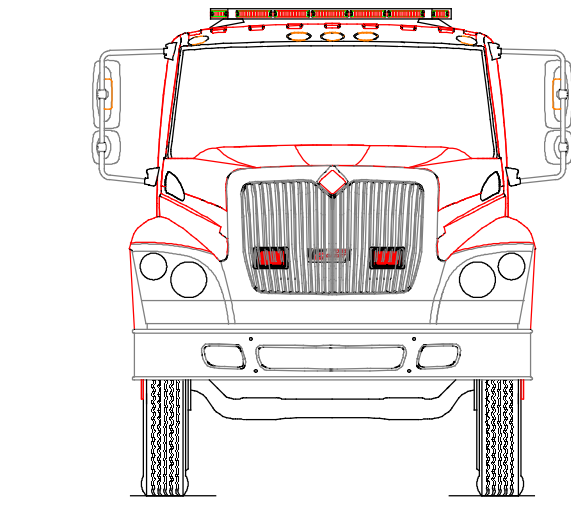
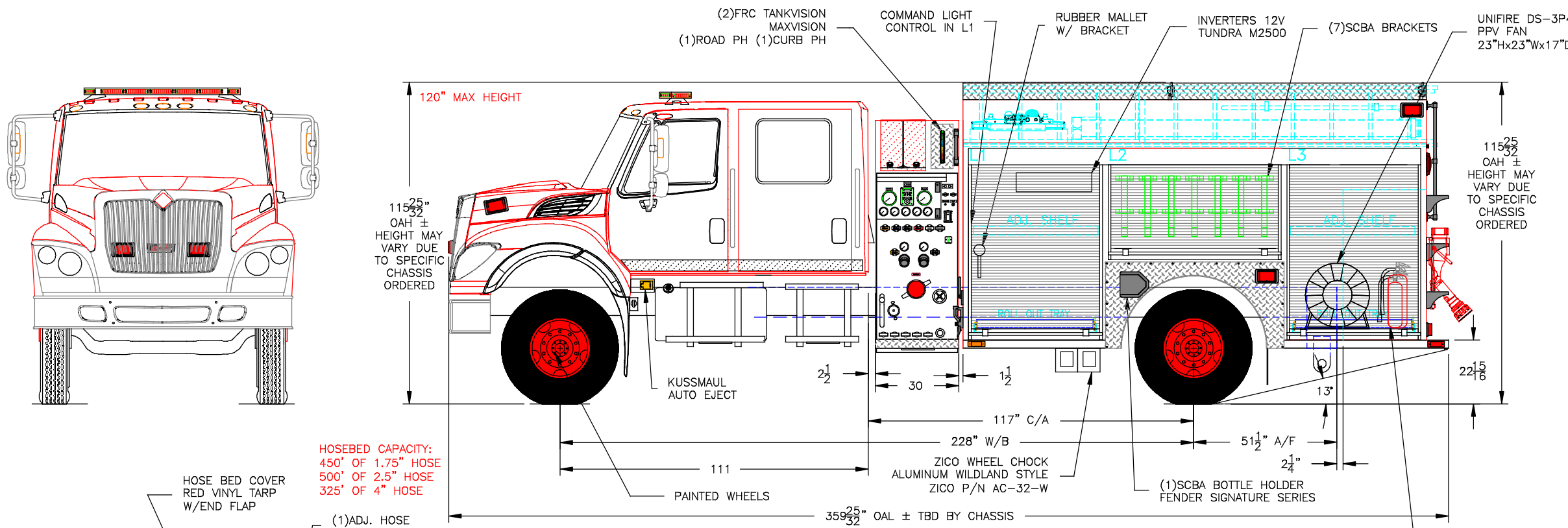
PLUMBING: STAINLESS STEEL SCHEDULE 10
-2 x 6" SUCTION, (1)ROAD (1)CURB-GATED
-2 x 2 1/2" GATED SUCTION, (1)ROAD (1)CURB
-3 x 2 1/2" DISCHARGE PORT, (2)ROAD (1)CURB
-2 x 1 1/2" CROSS LAY'S
-1 x 4" STORZ DISCHARGE, 3" PLUMBING (1)CURB
-4" TANK TO PUMP, W/3" BUTTERFLY VALVE
-2" TANK FILL

TANK:
-1000 IG (1200 USG) POLY

BODY:
-ER NO STANCHIONS ALUMINUM HIGH/HIGH

EMERGENCY EQUIPMENT-ACCESSORIES:
-LIGHT BAR 56" LED
-SIREN
-100W SPEAKER
-2 x FLOOD LIGHTS
-2 x GRILLE LIGHTS RED
-2 x SIDE UPPER WARNING LIGHTS RED
-4 x SIDE LOWER WARNING LIGHTS RED
-2 x REAR UPR WARN. LIGHT SRED
-2 x REAR LWR WARN. LIGHTS RED
-8 x GROUND LIGHTS
-AIR CHARGING PROVISION
-BATTERY CHARGING PROVISION
-10' ATTIC LADDER
-14' ROOF LADDER
-24' SECTION EXTENSION LADDER
-(2) 6" x 10' SUCTION HOSE
-(1) 6" x BARREL STRAINER

MODEL:
WHELEN JUSTICE 56"
WHELEN 295LSA1
WHELEN SA315P
DTI 010Wx6 LED
WHELEN 600 LED
WHELEN 600 LED
WHELEN 600 LED
WHELEN 900 LED
WHELEN 600 LED
LUMA BAR H20-12"
KUSSAMUL PUMP PLUS 1200
DUO SAFETY 585-A
DUO SAFETY 775-A
DUO SAFETY 900-A



| COMPT. | COMPARTMENT FRAME DIMENSIONS |
|--------|------------------------------|
| L1 | 48.25W x 69H x 15/27D |
| L2 | 62.25W x 40H x 15D |
| L3 | 48.25W x 69H x 15/27D |
| R1 | 48.25W x 69H x 15/27D |
| R2 | 62.25W x 40H x 15D |
| R3 | 48.25W x 69H x 15/27D |
| B1 | 44W x 54H x 30D |

NOTES:

- THE DRAWING IS FOR REFERENCE PURPOSE, ONLY. THE DRAWING MAY OR MAY NOT SHOW ALL ITEMS AS DESCRIBED IN THE WRITTEN DETAILED SPECIFICATION.
- INCLUSION OF AN ITEM ON THE DRAWING DOES NOT CONSTITUTE INCLUSION OF THAT ITEM WITH THE FINAL DELIVERY OF THE UNIT. SPECIFICATION SHALL BE FINAL AUTHORITY TO BE DETERMINED WHAT IS SUPPLIED ON THE APPARATUS.
- THE EFFECTIVE DOOR OPENING FOR ROLLUP DOORS WILL BE REDUCED APPROXIMATELY 10" IN HEIGHT AND 2" IN WIDTH FROM SHOWN FRAME OPENINGS AND 2" IN HEIGHT AND UP TO 4" IN WIDTH FOR PAN DOORS. THE ACTUAL VALUES MAY VARY.
- PUMP RATING AND TANK CAPACITY ARE SHOWN AS NOMINAL VALUES.
- CHASSIS GVWR SHOWN IS THE MINIMUM REQUIRED FOR STANDARD BODY DEPENDING OF OPTIONS, GVWR MAY NEED TO BE INCREASED.
- OEM CAB STEPS MAY NOT MEET ULC STANDARD. SELECT CUSTOM STEPS WHEN REQUIRED.
- OVERALL HEIGHT IS IN LOADED CONDITION, UNLOADED HEIGHT MAY BE 4" ABOVE HEIGHT SHOWN. AFTER TRUCK IS COMPLETED ADDITIONAL STEPS MAY BE REQUIRED TO MEET THE STANDARD.
- DIMENSIONS SHOWN ARE APPROXIMATE AND ARE SUBJECT TO CHANGE AS MAY BE FOUND NECESSARY DURING DESIGN. DO NOT SCALE DRAWING.
- MINOR DETAILS AND REFLECTIVE STRIPING ARE NOT SHOWN.

THIS DRAWING IS PROPERTY OF FORT GARRY FIRE TRUCKS LTD (FGFT) AND MUST NOT BE COPIED OR REPRODUCED IN WHOLE OR IN PART, BY ANY METHOD WHATSOEVER, WITHOUT AUTHORIZATION OF FGFT.



DESCRIPTION: YUKON FIRE MARSHAL'S OFFICE
SCALE: 1:46
DWG. BY: JAR
CHK. BY:

MODEL: ERS10D5
DATE: 14 AUG 2017
SHEET: 1 OF 1
DWG. NO.: M0894-M0896

| REV | DESCRIPTION OF CHANGE | BY | DATE |
|-----|---------------------------|-----|-------------|
| B | CUSTOMER SIGN OFF DRAWING | JAR | 28 NOV 2017 |
| A | CRM DRAWING | JAR | 24 OCT 2017 |