

BODY TYPE: FORMED ALUMINUM
TANK TYPE: WET SIDE

DOC. NO. : ED18-1 DRAWING TEMPLATE
REV. B 2008/01/09

SPECIFICATION

CHASSIS:
-FREIGHTLINER M2 112 SBA, CREW CAB
-46,000 LB GVWR; 16,000 LB FRONT / 30,000 LB REAR
-DIESEL ENGINE, CUMMINS ISL, 450 HP
-AUTOMATIC TRANSMISSION, ALLISON 3000 EVS

PUMP:
-WATEROUS PTO CXPA1500
-TESTED TO 5000 LPM (1321 USG) (1100 IGPM) AT 150 PSI
-ULC TESTED BY INDEPENDENT 3rd PARTY

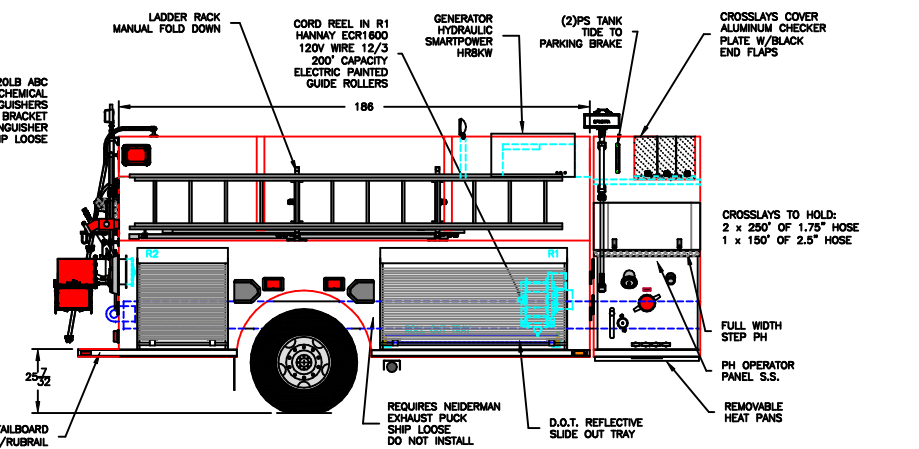
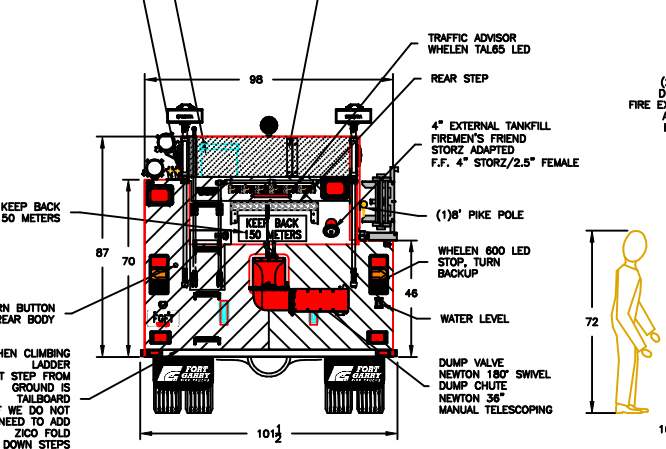
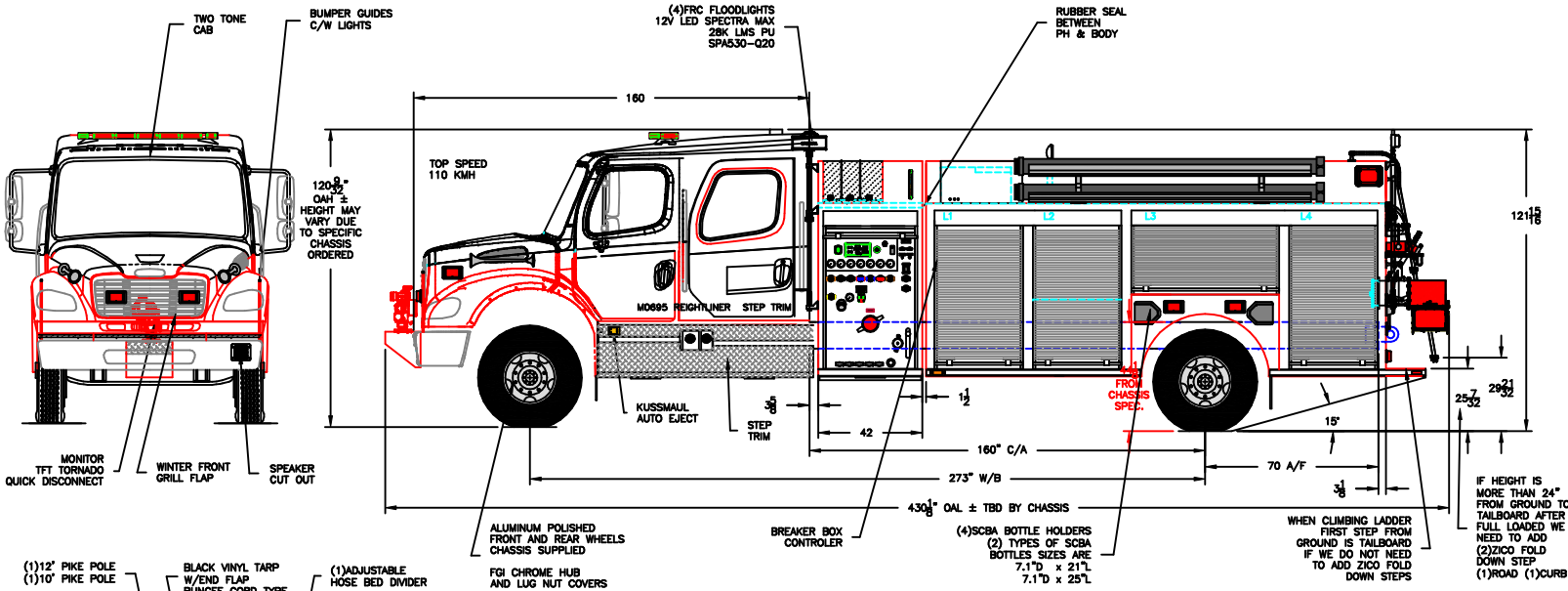
PLUMBING: STAINLESS STEEL SCHEDULE 10
- 2 x 6" SUCTION, (1)ROAD (1)CURB, BOTH ELECTRIC (M/V)
- 2 x 2 1/2" DISCHARGE PORT, (1)ROAD (1)CURB
- 1 x 4" STORZ DISCHARGE W/3" PLUMBING, (1)CURB
- 2 x 2 1/2" SUCTION, (1)ROAD (1)CURB
- 2 x 1 1/2" CROSSLAY
- 1 x 2 1/2" CROSSLAY
- 1 x 2" FRONT BUMPER TURRET,
- 1 x 4" EXTERNAL TANK FILL FIREMAN'S FRIEND, (1)REAR RH
- 4" TANK TO PUMP, W/3" AIR VALVE
- 2" TANK FILL

TANK:
- 6819 L (1500 IG) (1800 USG) POLY

BODY:
-WET SIDE TANKER, FORMED ALUMINUM HIGH/LOW
-BODY UNDERCOATING CORASHIELD

EMERGENCY EQUIPMENT/ACCESSORIES:
- LIGHT BAR 56" LED
- SIREN SMART
- 100W SPEAKER
- 1 x FLOOD LIGHT
- 1 x HAND HELD SPOT LIGHT IN CAB
- 2 x GRILLE LIGHTS RED
- 6 x INTERSECTION LIGHTS RED
- 2 x SIDE UPPER WARNING LIGHTS RED
- 2 x REAR LOWER WARNING LIGHTS RED
- 2 x REAR UPPER WARNING LIGHTS RED
- 8 x GROUND LIGHTS
- 1 x TRAFFIC ADVISOR
- AIR CHARGING PROVISION
- BATTERY CHARGING PROVISION
- (2) ANTENNA MOUNT
- 10' FOLDING LADDER
- 14' ROOF LADDER
- 24' EXTENSION LADDER
- (2) 6" x 10' SUCTION HOSE
- (1) 6" LOW LEVEL STRAINER

MODEL:
- WHELEN JUSTICE LED
- WHELEN GEN COM
- FSC ES100
- DTI 110W/8 LED 12V
- COLLINS
- WHELEN LED 600
- WHELEN LED 600
- WHELEN LED 900
- WHELEN LED 600
- WHELEN LED 900
- LUMA BAR H20-12"
- WHELEN TAL-85
- KUSSMAUL PUMP
- PLUS 1200
- DUO-SAFETY 585-A
- DUO-SAFETY 775-A
- DUO-SAFETY 900-A



COMPT.	COMPARTMENT FRAME DIMENSIONS
L1	36W x 65H x 13.5/26D
L2	36W x 65H x 13.5/26D
L3	60W x 35H x 13.5/26D
L4	36W x 65H x 13.5/26D
R1	74W x 40H x 13.5/26D
R1	36W x 40H x 13.5/26D

DOOR OPENING/COMPARTMENT SIZE:
PAN DOORS
SINGLE DOOR CONFIGURATION:
DOOR OPENING IS REDUCED 2" IN HEIGHT AND 2" IN WIDTH AND 3" IN DEPTH.
DOUBLE DOOR CONFIGURATION:
DOOR OPENING IS REDUCED 2" IN HEIGHT AND 4" IN WIDTH AND 3" IN DEPTH.
ROLLUP DOORS
DOOR OPENING IS REDUCED 10" IN HEIGHT AND 2" IN WIDTH AND 2" IN DEPTH.

PUMP RATING & TANK CAPACITY ARE SHOWN AS NOMINAL VALUES. ACTUAL VALUES MAY VARY.
CHASSIS GVWR IS MINIMUM REQUIRED FOR STANDARD BODY. DEPENDING ON OPTIONS GVWR MAY INCREASE
OEM CAB STEPS MAY NOT MEET NFPA STANDARDS. SELECT CUSTOM STEPS IF REQUIRED.
DRAWING MAY NOT BE EXACT, SEE QUOTE FOR DETAILS.

REV	DESCRIPTION OF CHANGE	BY	DATE
E	REVISED CUSTOMER SIGN OFF DWG	JAR	22 NOV 2016
D	PPM DRAWING	TV	09 NOV 2016
C	REVISED CUSTOMER SIGN OFF DWG	TV	04 OCT 2016
B	CUSTOMER SIGN OFF DRAWING	JAR	16 AUG 2016
A	CRM DRAWING	TV	05 AUG 2016

FORT GARRY
FIRE TRUCKS
WWW.FGFT.COM
WINNIPEG, MANITOBA, CANADA 1-800-565-3473

DESCRIPTION:	WHITEHORSE F.D.
SCALE:	1:50
DWG. BY:	CI
CHK. BY:	

MODEL:	CPTS15W6	SHEET:	1 OF 1
DATE:	4 APR 2016	DWG. NO.:	M0783